

READ AND SAVE THESE INSTRUCTIONS

WARNING! RISK OF ELECTRIC SHOCK

All electrical connections must be in accordance with local codes, ordinances, or national codes. If you are unfamiliar with methods of installing electrical wiring, secure the services of a qualified electrician.

Before starting installation, disconnect the power by turning off the circuit breaker or removing the fuse at fuse block. Turning power off using fan switch (speed control on/off) is not sufficient to prevent electrical shock.

NOTE: The important safeguards and instructions appearing in this manual are not meant to cover all possible conditions and situations that may occur. It must be understood that common sense, caution and care are factors which cannot be built into any product. These factors must be supplied by the person (s) caring for and operating the unit.

1. Remove 1 of the 3 screws from the decorative cover support plate and loosen the other 2 screws. (Do not remove) (Fig. 1)
2. While holding the light kit under your fan, Locate two single white and black wires in the switch housing labeled FOR LIGHT, make the polarized plug connections:
 - White to white
 - Black to black
3. Place the key holes on the LED light kit over the 2 screws previously loosened from the decorative cover support plate, turn light kit until it locks in place at the narrow section of the key holes. Secure by tightening the 2 screws previously loosened and the one previously removed. (Fig. 1)
4. Raise glass shade up against the decorative cover support plate and secure it to fan by turning glass clockwise until snug. DO NOT OVERTIGHTEN. (Fig. 2)
5. Restore power and your light kit is ready for operation.

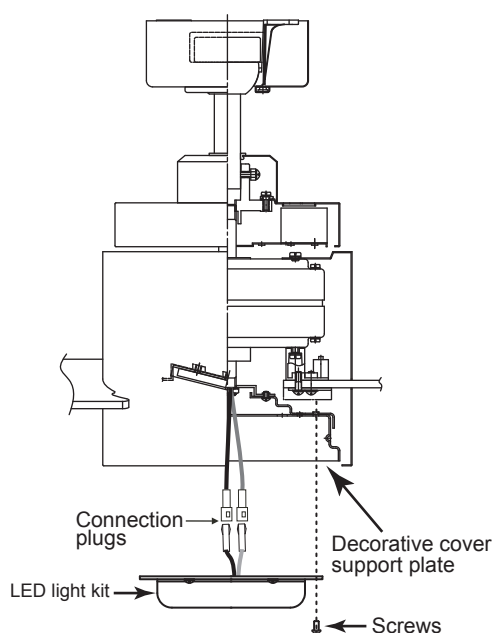


Figure 1

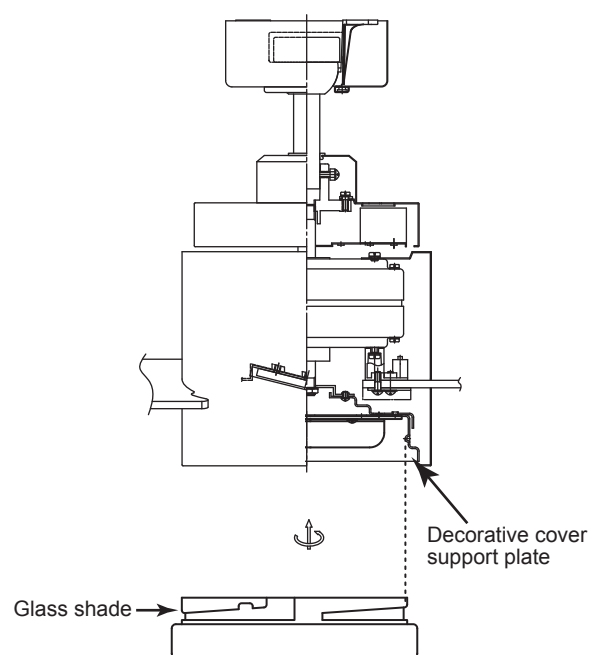


Figure 2